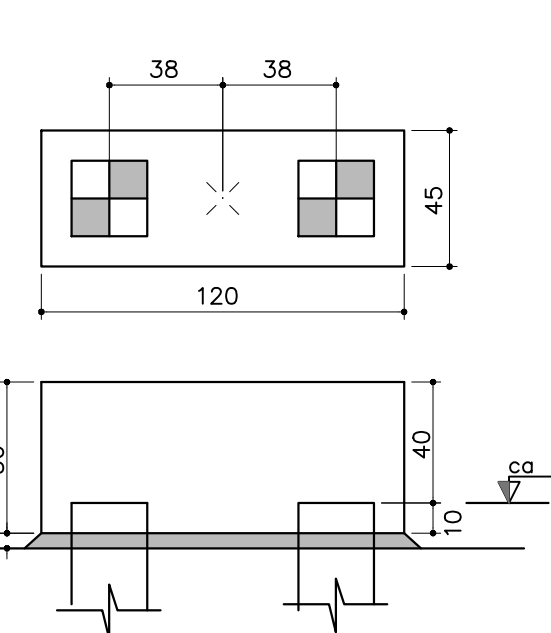
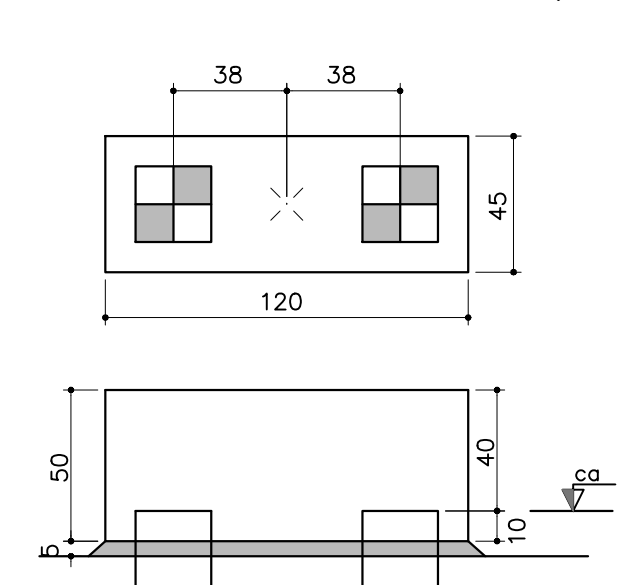


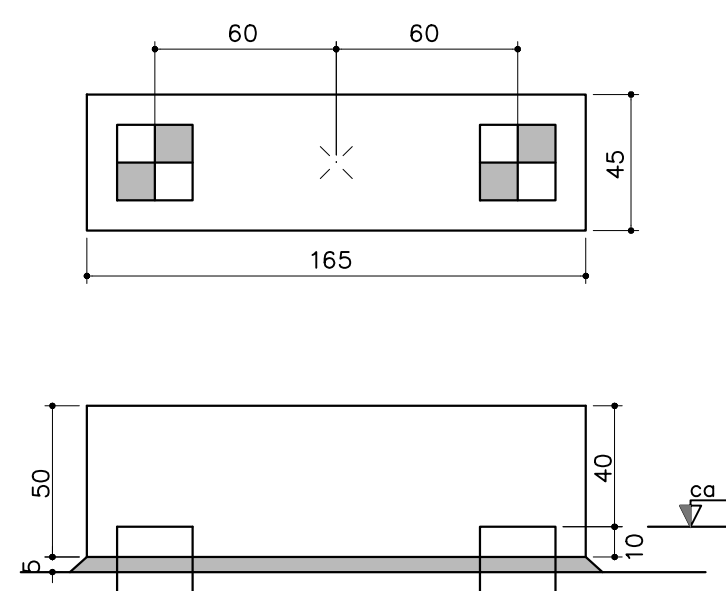
B33=B34=B35=B36=B38=B45=B46
B90=B91=B93=B94=B95=B96 (2xQ25x25)



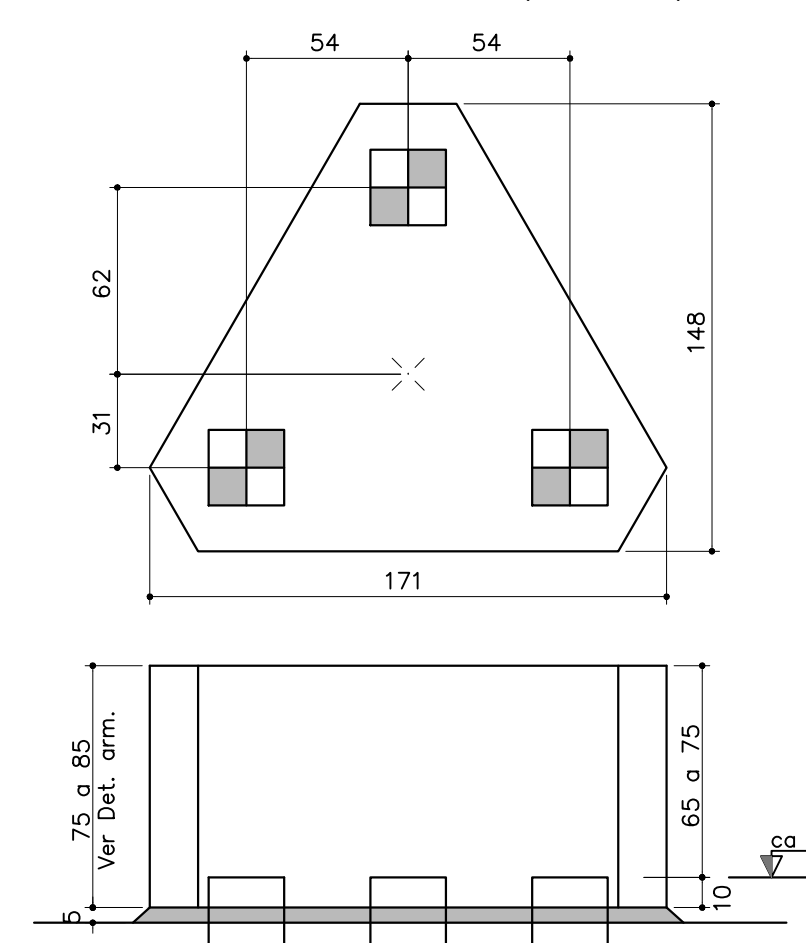
B33=B34=B35=B36=B38=B45=B46
B90=B91=B93=B94=B95=B96 (2xQ25x25)



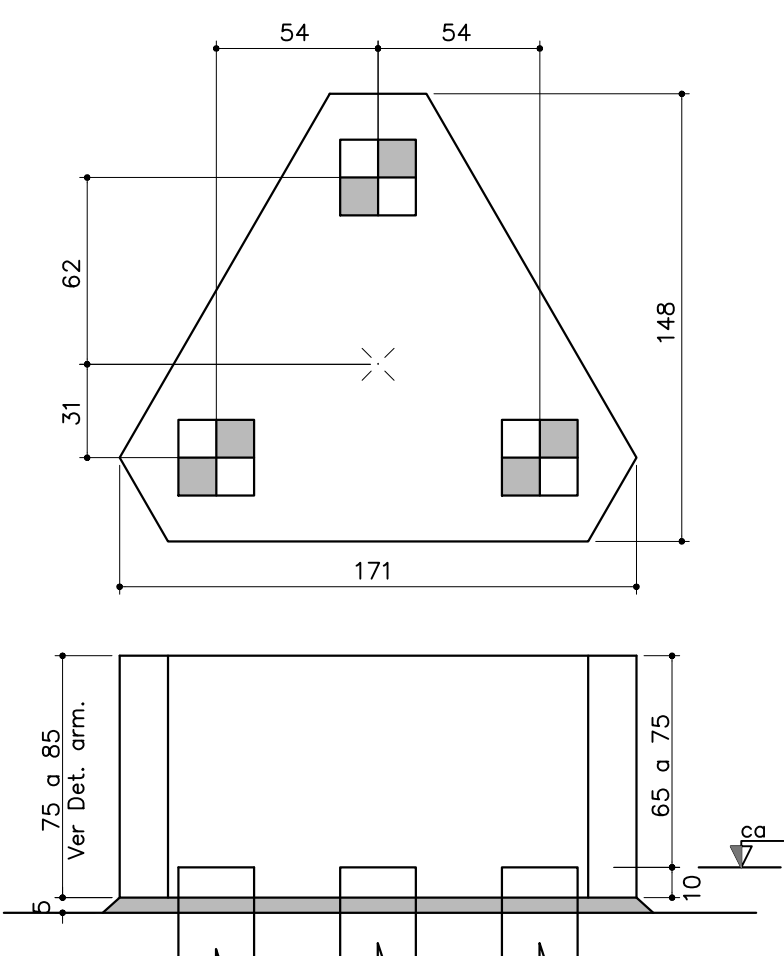
B76=B77=B105 (2xQ25x25)



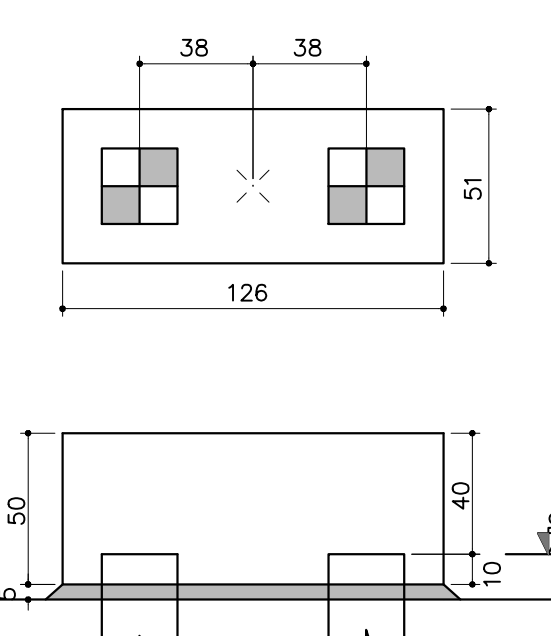
B39=B40=B49=B50=B88 (3xQ25x25)



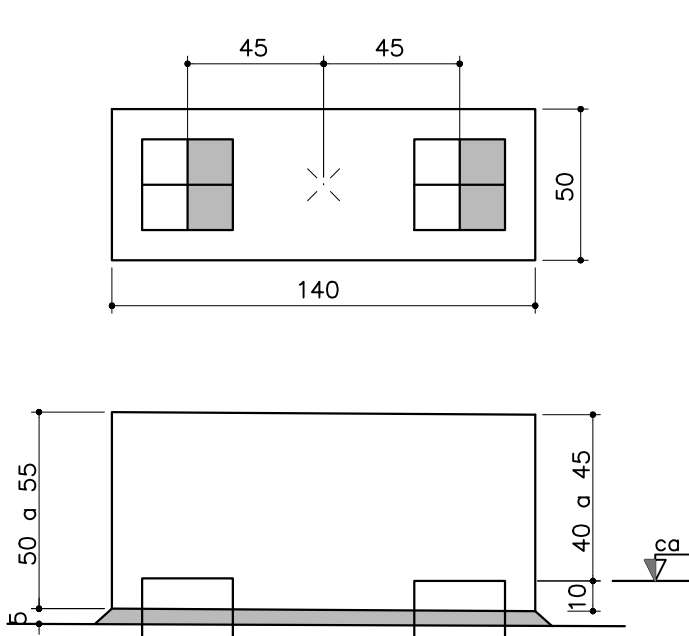
B39=B40=B49=B50=B88 (3xQ25x25)



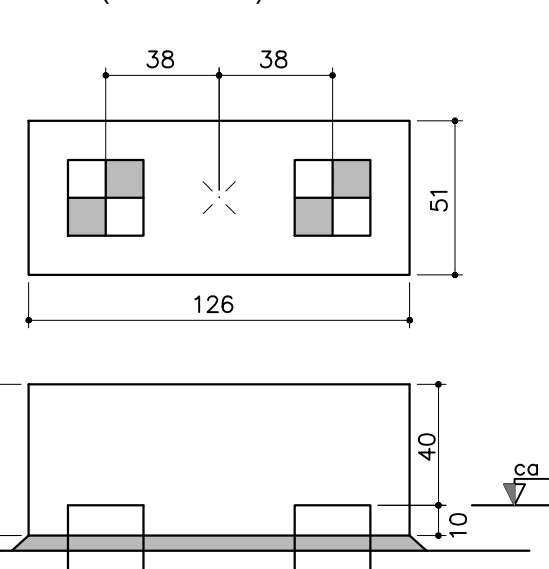
B41 (2xQ25x25)



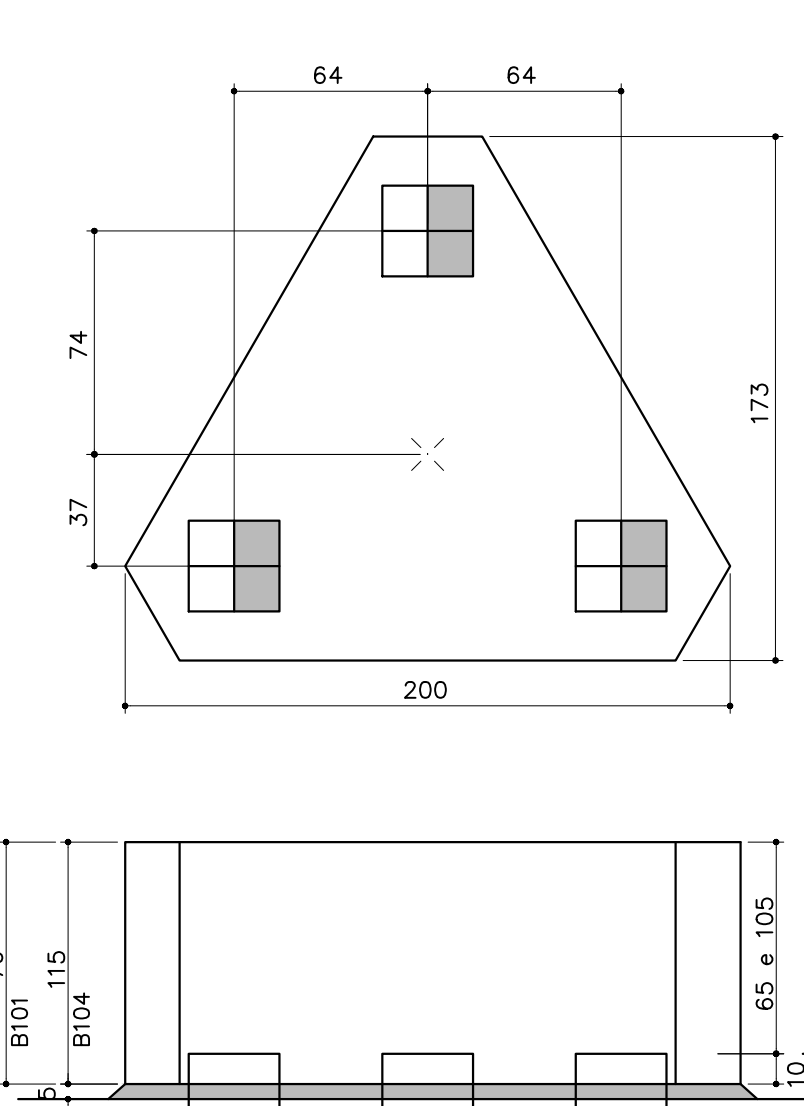
B75=B92=B97 (2xQ30x30)



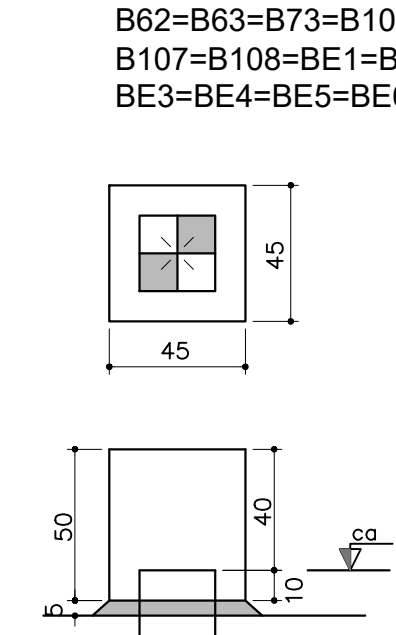
B41 (2xQ25x25)



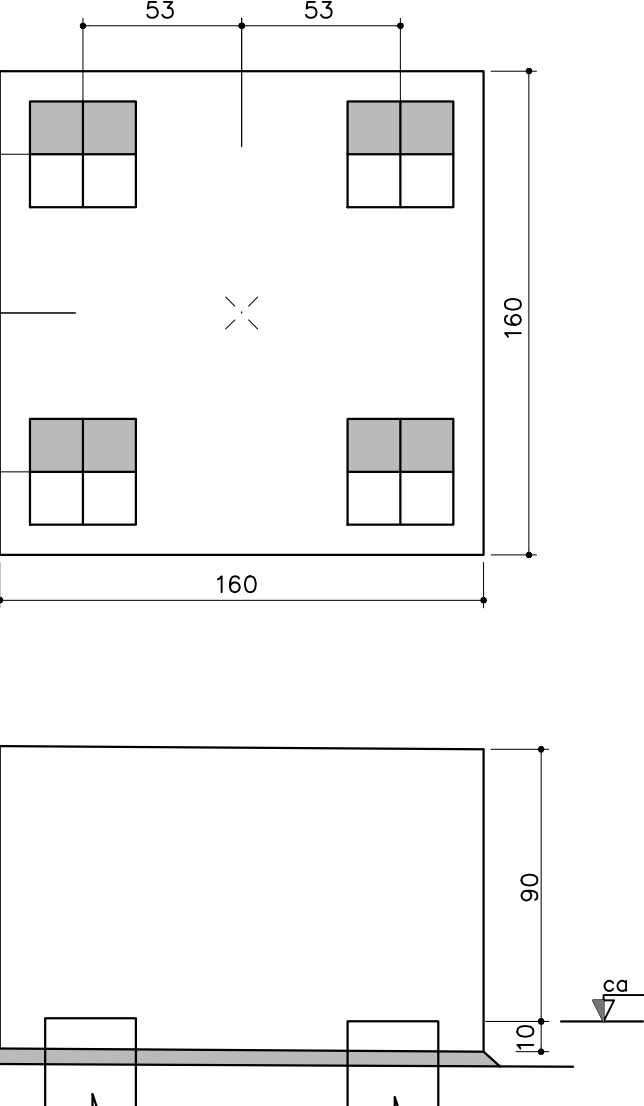
B101=B104 (3xQ30x30)



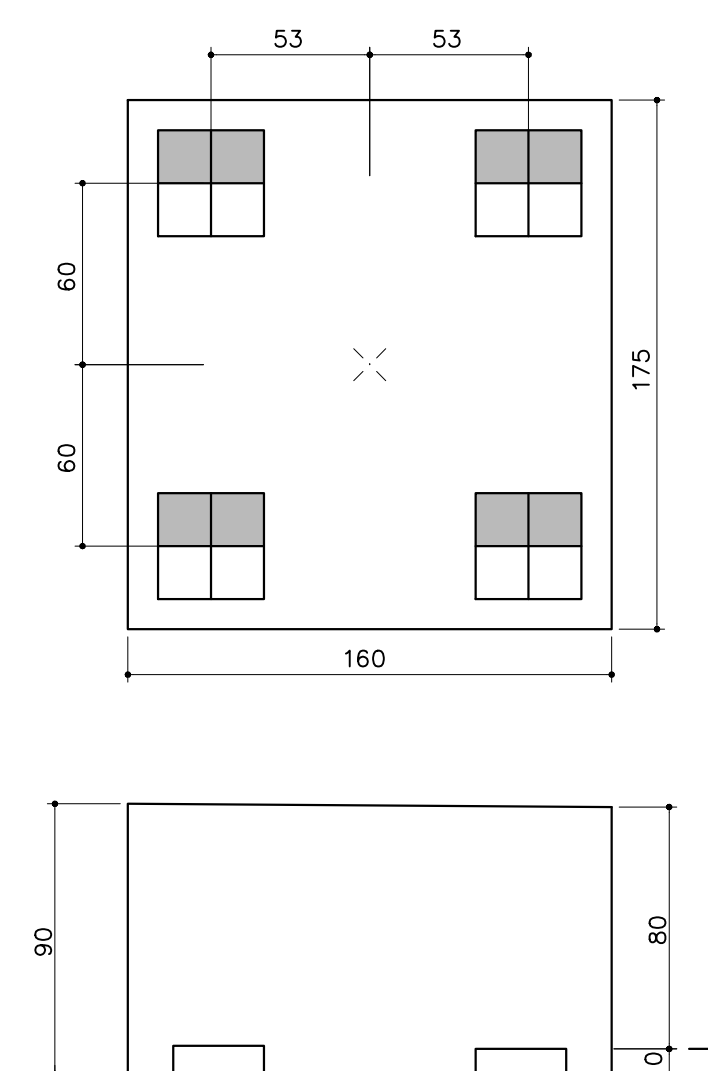
B48=B54=B58=B60
B62=B63=B73=B106
B107=B108-BE1=BE2
BE3=BE4=BE5=BE6 (1xQ25x25)



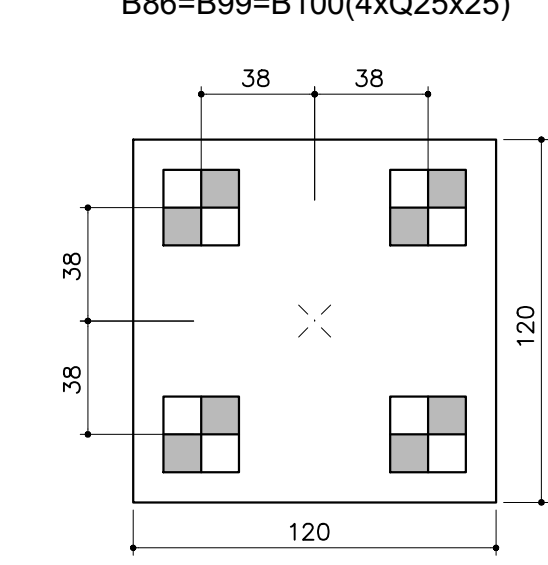
B68 (4xQ35x35)



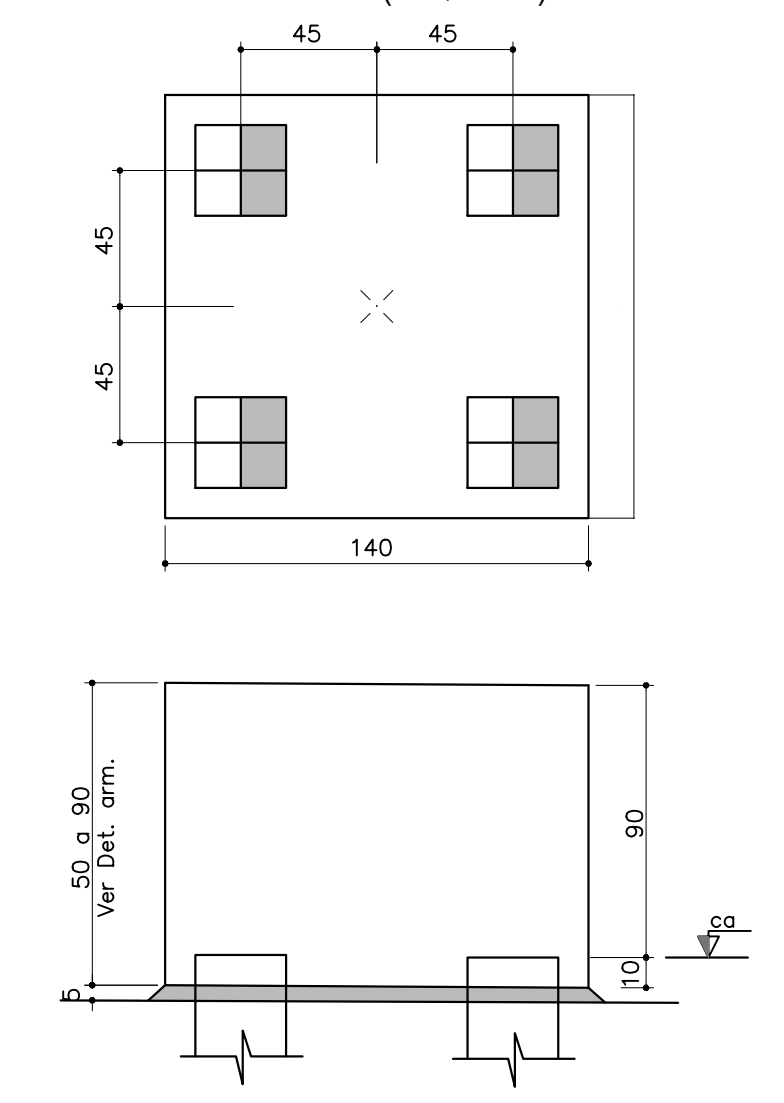
B84-89 (4xQ35x35)



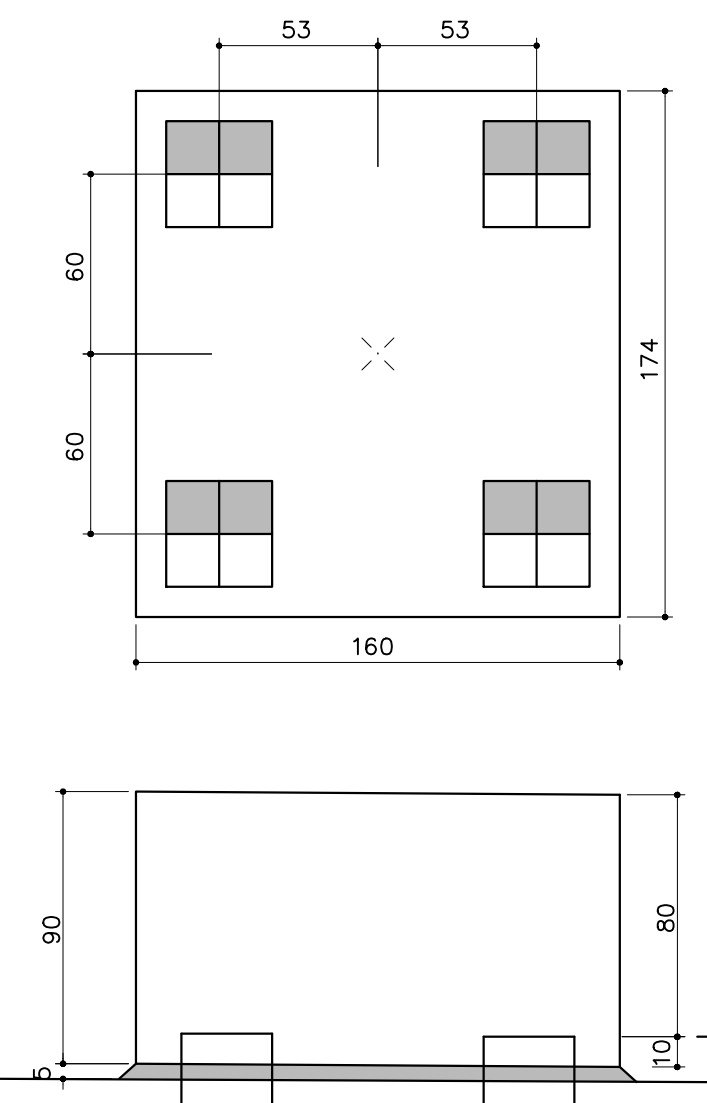
B42=B56=B57=B67=B70=B85
B86=B99=B100(4xQ25x25)



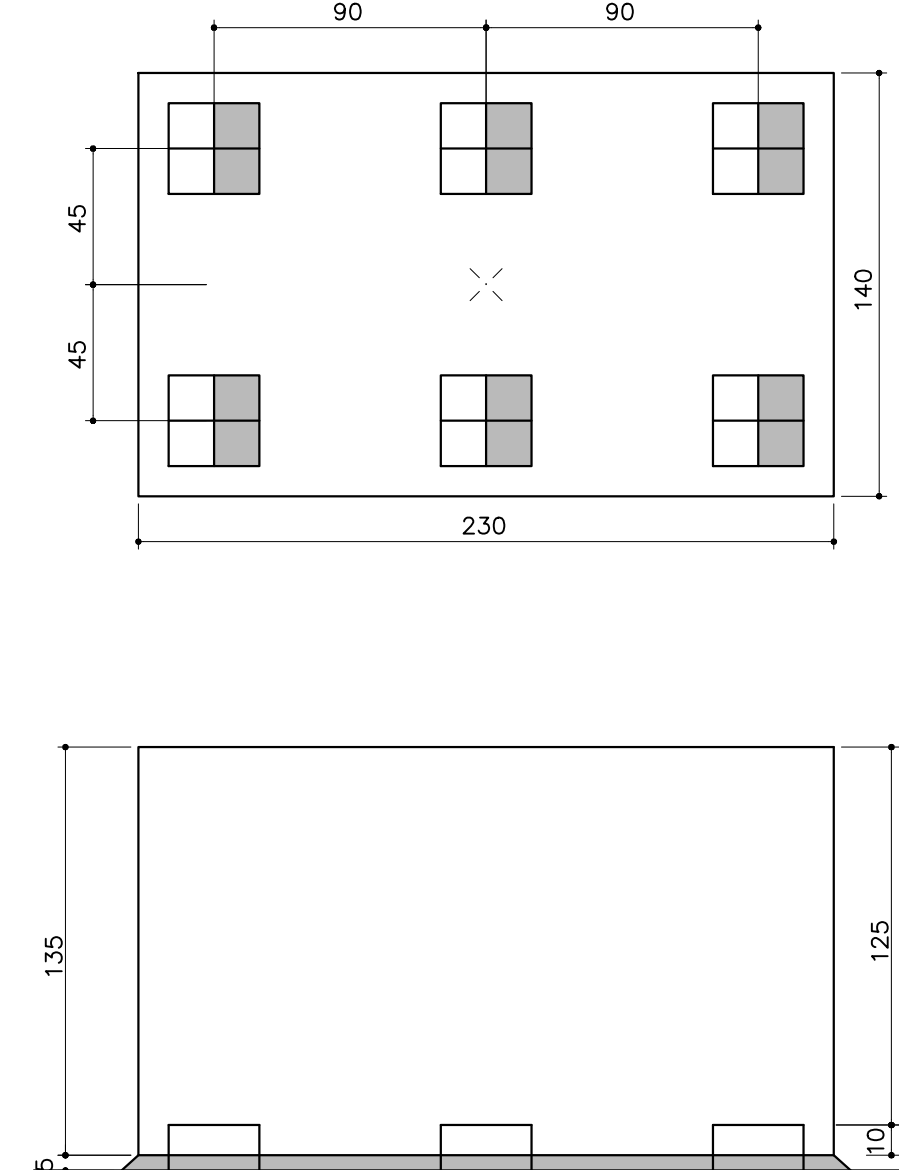
B37=B44=B51=B59=B66=B69
B71=B72=B78=B87(4xQ30x30)



B98-103 (4xQ35x35)



B43 (6xQ30x30)



| Nome | Pilar | Carga Máx. (kN) | Nome | Fundação | Lado B (cm) | Lado L (cm) | R0 / N0 | N1 / N6 | Estaca | ca |
|------|-------|-----------------|------|----------|-------------|-------------|---------|---------|--------|-------|
| E1 | 25x25 | 5,2 BE1 | 45 | 45 | 0 | 50 | 0 | 0 | Q25x25 | 97100 |
| E2 | 25x25 | 5,2 BE2 | 45 | 45 | 0 | 50 | 0 | 0 | Q25x25 | 97100 |
| E3 | 25x25 | 0,9 BE3 | 45 | 45 | 0 | 50 | 0 | 0 | Q25x25 | 97100 |
| E4 | 25x25 | 4,4 BE4 | 45 | 45 | 0 | 50 | 0 | 0 | Q25x25 | 97100 |
| E5 | 25x25 | 0,9 BE5 | 45 | 45 | 0 | 50 | 0 | 0 | Q25x25 | 97100 |
| E6 | 25x25 | 5,2 BE6 | 45 | 45 | 0 | 50 | 0 | 0 | Q25x25 | 97100 |
| E7 | 25x25 | 5,2 BE7 | 45 | 45 | 0 | 50 | 0 | 0 | Q25x25 | 97100 |
| E8 | 25x25 | 1,8 BE8 | 45 | 45 | 0 | 50 | 0 | 0 | Q25x25 | 97100 |
| E9 | 25x25 | 3,8 BE9 | 45 | 45 | 0 | 50 | 0 | 0 | Q25x25 | 97100 |
| E10 | 25x25 | 3,8 BE10 | 45 | 45 | 0 | 50 | 0 | 0 | Q25x25 | 97100 |
| E11 | 25x25 | 3,8 BE11 | 45 | 45 | 0 | 50 | 0 | 0 | Q25x25 | 97100 |
| E12 | 25x25 | 0,9 BE12 | 45 | 45 | 0 | 50 | 0 | 0 | Q25x25 | 97100 |
| E13 | 25x25 | 1,8 BE13 | 45 | 45 | 0 | 50 | 0 | 0 | Q25x25 | 97100 |
| E14 | 25x25 | 1,8 BE14 | 45 | 45 | 0 | 50 | 0 | 0 | Q25x25 | 97100 |
| E15 | 25x25 | 1,8 BE15 | 45 | 45 | 0 | 50 | 0 | 0 | Q25x25 | 97100 |
| F16 | 30x30 | 3,8 B16 | 45 | 45 | 0 | 50 | 0 | 0 | C30 | 96500 |
| F17 | 30x30 | 3,8 B17 | 45 | 45 | 0 | 50 | 0 | 0 | C30 | 96500 |
| F18 | 30x30 | 3,8 B18 | 45 | 45 | 0 | 50 | 0 | 0 | C30 | 96500 |
| F19 | 30x30 | 3,8 B19 | 45 | 45 | 0 | 50 | 0 | 0 | C30 | 96500 |
| F20 | 30x30 | 3,8 B20 | 45 | 45 | 0 | 50 | 0 | 0 | C30 | 96500 |
| F21 | 30x30 | 3,8 B21 | 45 | 45 | 0 | 50 | 0 | 0 | C30 | 96500 |
| F22 | 30x30 | 3,8 B22 | 45 | 45 | 0 | 50 | 0 | 0 | C30 | 96500 |
| F23 | 30x30 | 3,8 B23 | 45 | 45 | 0 | 50 | 0 | 0 | C30 | 96500 |
| F24 | 30x30 | 3,8 B24 | 45 | 45 | 0 | 50 | 0 | 0 | C30 | 96500 |
| F25 | 30x30 | 3,8 B25 | 45 | 45 | 0 | 50 | 0 | 0 | C30 | 96500 |
| F26 | 30x30 | 3,8 B26 | 45 | 45 | 0 | 50 | 0 | 0 | C30 | 96500 |
| F27 | 30x30 | 3,8 B27 | 45 | 45 | 0 | 50 | 0 | 0 | C30 | 96500 |
| F28 | 30x30 | 3,8 B28 | 45 | 45 | 0 | 50 | 0 | 0 | C30 | 96500 |
| F29 | 30x30 | 3,8 B29 | 45 | 45 | 0 | 50 | 0 | 0 | C30 | 96500 |
| F30 | 30x30 | 3,8 B30 | 45 | 45 | 0 | 50 | 0 | 0 | C30 | 96500 |
| F31 | 30x30 | 3,8 B31 | 45 | 45 | 0 | 50 | 0 | 0 | C30 | 96500 |
| F32 | 30x30 | 3,8 B32 | 45 | 45 | 0 | 50 | 0 | 0 | C30 | 96500 |
| F33 | 30x30 | 3,8 B33 | 45 | 45 | 0 | 50 | 0 | 0 | C30 | 96500 |
| F34 | 30x30 | 3,8 B34 | 45 | 45 | 0 | 50 | 0 | 0 | C30 | 96500 |
| F35 | 30x30 | 3,8 B35 | 45 | 45 | 0 | 50 | 0 | 0 | C30 | 96500 |
| F36 | 30x30 | 3,8 B36 | 45 | 45 | 0 | 50 | 0 | 0 | C30 | 96500 |
| F37 | 30x30 | 3,8 B37 | 45 | 45 | 0 | 50 | 0 | 0 | C30 | 96500 |
| F38 | 30x30 | 3,8 B38 | 45 | 45 | 0 | 50 | 0 | 0 | C30 | 96500 |
| F39 | 30x30 | 3,8 B39 | 45 | 45 | 0 | 50 | 0 | 0 | C30 | 96500 |
| F40 | 30x30 | 3,8 B40 | 45 | 45 | 0 | 50 | 0 | 0 | C30 | 96500 |
| F41 | 30x30 | 3,8 B41 | 45 | 45 | 0 | 50 | 0 | 0 | C30 | 96500 |
| F42 | 30x30 | 3,8 B42 | 45 | 45 | 0 | 50 | 0 | 0 | C30 | 96500 |
| F43 | 30x30 | 3,8 B43 | 45 | 45 | 0 | 50 | 0 | 0 | C30 | 96500 |
| F44 | 30x30 | 3,8 B44 | 45 | 45 | 0 | 50 | 0 | 0 | C30 | 96500 |
| F45 | 30x30 | 3,8 B45 | 45 | 45 | 0 | 50 | 0 | 0 | C30 | 96500 |
| F46 | 30x30 | 3,8 B46 | 45 | 45 | 0 | 50 | 0 | 0 | C30 | 96500 |
| F47 | 30x30 | 3,8 B47 | 45 | 45 | 0 | 50 | 0 | 0 | C30 | 96500 |
| F48 | 30x30 | 3,8 B48 | 45 | 45 | 0 | 50 | 0 | 0 | C30 | 96500 |
| F49 | 30x30 | 3,8 B49 | 45 | 45 | 0 | 50 | 0 | 0 | C30 | 96500 |
| F50 | 30x30 | 3,8 B50 | 45 | 45 | 0 | 50 | 0 | 0 | C30 | 96500 |
| F51 | 30x30 | 3,8 B51 | 45 | 45 | 0 | 50 | 0 | 0 | C30 | 96500 |
| F52 | 30x30 | 3,8 B52 | 45 | 45 | 0 | 50 | 0 | 0 | C30 | 96500 |
| F53 | 30x30 | 3,8 B53 | 45 | 45 | 0 | 50 | 0 | 0 | C30 | 96500 |
| F54 | 30x30 | 3,8 B54 | 45 | 45 | 0 | 50 | 0 | 0 | C30 | 96500 |
| F55 | 30x30 | 3,8 B55 | 45 | 45 | 0 | 50 | 0 | 0 | C30 | 96500 |
| F56 | 30x30 | 3,8 B56 | 45 | 45 | 0 | 50 | 0 | 0 | C30 | 96500 |
| F57 | 30x30 | 3,8 B57 | 45 | 45 | 0 | 50 | 0 | 0 | C30 | 96500 |
| F58 | 30x30 | 3,8 B58 | 45 | 45 | 0 | 50 | 0 | 0 | C30 | 96500 |
| F59 | 30x30 | 3,8 B59 | 45 | 45 | 0 | 50 | 0 | 0 | C30 | 96500 |
| F60 | 30x30 | 3,8 B60 | 45 | 45 | 0 | 50 | 0 | 0 | C30 | 96500 |
| F61 | 30x30 | 3,8 B61 | 45 | 45 | 0 | 50 | 0 | 0 | C30 | 96500 |
| F62 | 30x30 | 3,8 B62 | 45 | 45 | 0 | 50 | 0 | 0 | C30 | 96500 |
| F63 | 30x30 | 3,8 B63 | 45 | 45 | 0 | 50 | 0 | 0 | C30 | 96500 |
| F64 | 30x30 | 3,8 B64 | 45 | 45 | 0 | 50 | 0 | 0 | C30 | 96500 |
| F65 | 30x30 | 3,8 B65 | 45 | 45 | 0 | 50 | 0 | 0 | C30 | 96500 |
| F66 | 30x30 | 3,8 B66 | 45 | 45 | 0 | 50 | 0 | 0 | C30 | 96500 |
| F67 | 30x30 | 3,8 B67 | 45 | 45 | 0 | 50 | 0 | 0 | C30 | 96500 |
| F68 | 30x30 | 3,8 B68 | 45 | 45 | 0 | 50 | 0 | 0 | C30 | 96500 |
| F69 | 30x30 | 3,8 B69 | 45 | 45 | 0 | 50 | 0 | 0 | C30 | 96500 |
| F70 | 30x30 | 3,8 B70 | 45 | 45 | 0 | 50 | 0 | 0 | C30 | 96500 |
| F71 | 30x30 | 3,8 B71 | 45 | 45 | 0 | 50 | 0 | 0 | C30 | 96500 |
| F72 | 30x30 | 3,8 B72 | 45 | 45 | 0 | 50 | 0 | 0 | C30 | 96500 |
| F73 | 30x30 | 3,8 B73 | 45 | 45 | 0 | 50 | 0 | 0 | C30 | 96500 |
| F74 | 30x30 | 3,8 B74 | 45 | 45 | 0 | 50 | 0 | 0 | C30 | 96500 |
| F75 | 30x30 | 3,8 B75 | 45 | 45 | 0 | 50 | 0 | 0 | C30 | 96500 |
| F76 | 30x30 | 3,8 B76 | 45 | 45 | 0 | 50 | 0 | 0 | C30 | 96500 |
| F77 | 30x30 | 3,8 B77 | 45 | 45 | 0 | 50 | 0 | 0 | C30 | 96500 |
| F78 | 30x30 | 3,8 B78 | 45 | 45 | 0 | 50 | 0 | 0 | C30 | 96500 |
| F79 | 30x30 | 3,8 B79 | 45 | 45 | 0 | 50 | 0 | 0 | C30 | 96500 |
| F80 | 30x30 | 3,8 B80 | 45 | 45 | 0 | 50 | 0 | 0 | C30 | 96500 |
| F81 | 30x30 | 3,8 B81 | 45 | 45 | 0 | 50 | 0 | 0 | C30 | 96500 |
| F82 | 30x30 | 3,8 B82 | 45 | 45 | 0 | 50 | 0 | 0 | C30 | 96500 |
| F83 | 30x30 | 3,8 B83 | 45 | 45 | 0 | 50 | 0 | 0 | C30 | 96500 |
| F84 | 30x30 | 3,8 B84 | 45 | 45 | 0 | 50 | 0 | 0 | C30 | 96500 |
| F85 | 30x30 | 3,8 B85 | 45 | 45 | 0 | 50 | 0 | 0 | C30 | 96500 |
| F86 | 30x30 | 3,8 B86 | 45 | 45 | 0 | 50 | 0 | 0 | C30 | 96500 |
| F87 | 30x30 | 3,8 B87 | 45 | 45 | 0 | 50 | 0 | 0 | C30 | 96500 |
| F88 | 30x30 | 3,8 B88 | 45 | 45 | 0 | 50 | 0 | 0 | C30 | 96500 |
| F89 | 30x30 | 3,8 B89 | 45 | 45 | 0 | 50 | 0 | 0 | C30 | 96500 |
| F90 | 30x30 | 3,8 B90 | 45 | 45 | 0 | 50 | 0 | 0 | C30 | 96500 |
| F91 | 30x30 | 3,8 B91 | 45 | 45 | 0 | 50 | 0 | 0 | C30 | 96500 |
| F92 | 30x30 | 3,8 B92 | 45 | 45 | 0 | 50 | 0 | 0 | C30 | 96500 |
| F93 | 30x30 | 3,8 B93 | 45 | 45 | 0 | 50 | 0 | 0 | C30 | 96500 |
| F94 | 30x30 | 3,8 B94 | 45 | 45 | 0 | 50 | 0 | 0 | C30 | 96500 |
| F95 | 30x30 | 3,8 B95 | 45 | 45 | 0 | 50 | 0 | 0 | C30 | 96500 |
| F96 | 30x30 | 3,8 B96 | 45 | 45 | 0 | 50 | 0 | 0 | C30 | 96500 |
| F97 | 30x30 | 3,8 B97 | 45 | 45 | 0 | 50 | 0 | 0 | C30 | 96500 |
| F98 | 30x30 | 3,8 B98 | 45 | 45 | 0 | 50 | 0 | 0 | C30 | 96500 |
| F99 | 30x30 | 3,8 B99 | 45 | 45 | 0 | 50 | 0 | 0 | C30 | 96500 |
| F100 | 30x30 | 3,8 B100 | 45 | 45 | 0 | 50 | 0 | 0 | C30 | 96500 |

| Simbologia | Nome | d (cm) | s (cm) | Quantidade |
|------------|--------|--------|--------|------------|
| [Symbol] | Q25x25 | 25,00 | 25,00 | 124 |
| [Symbol] | Q30x30 | 30,00 | 30,00 | 58 |
| [Symbol] | Q35x35 | 35,00 | 35,00 | 14 |
| [Symbol] | C30 | 30,00 | - | 32 |

| LOCALIZAÇÃO DAS ESTAGAS | | | |
|-------------------------|-------|--------|-----------------|
| Bloco | Nome | Tipo | Carga máx. (kN) |
| B1 | E1-1 | Q25x25 | 5,2 |
| B2 | E2-1 | Q25x25 | 5,2 |
| B3 | E3-1 | Q25x25 | 0,9 |
| B4 | E4-1 | Q25x25 | 4,4 |
| B5 | E5-1 | Q25x25 | 0,9 |
| B6 | E6-1 | Q25x25 | 5,2 |
| B7 | E7-1 | Q25x25 | 5,2 |
| B8 | E8-1 | Q25x25 | 1,8 |
| B9 | E9-1 | Q25x25 | 3,8 |
| B10 | E10-1 | Q25x25 | |